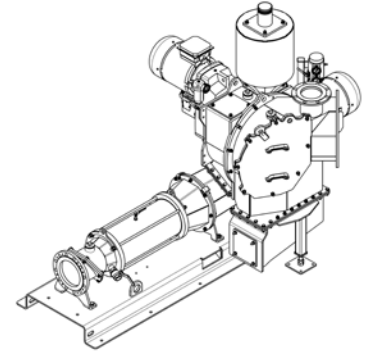


PreMix®

The versatile PreMix® for treating pulpy, high-volume and dry co-substrates



Model		Max. capacity	Max. pressure	Installed drive power		Solid matter inlet
CC series*	RotaCut	m³/h	bar	Pump kW	RotaCut kW	mm
CC55-M2	RCX-48G	20	12	9.2	12.1	□ 310
CC66-M2	RCX-48G	30	12	15	12.1	□ 310
CC55-D1	RCX-48G	40	6	9.2	12.1	□ 310
CC55-D1	RCX-58G	50	6	11	16.5	□ 418
CC66-M2	RCX-58G	50	12	18.5	16.5	□ 418
CC66-D1	RCX-58G	60	6	15	16.5	□ 418
CC77-M2	RCX-58G	70	12	18.5	16.5	□ 418
CC66-D1	RCX-68G	85	6	18.5	20.4	□ 418
CC77-M2	RCX-68G	85	12	22	20.4	□ 418
CC77-M2	RCX-68G	100	12	30	20.4	□ 418

* D1: single-stage progressive cavity pump, M2: two-stage progressive cavity pump